


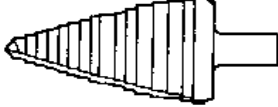

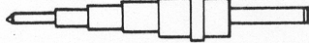


## Features

- HSS Steel
- Ground from Solid
- Self Starting
- Intended for Thin Metals
- One Tool covers many sizes

## Applications:

- Holes for wiring
- Enlarges Holes
- Ferrous & Non ferrous metals
- Stainless Steel
- Plastic

| Step Drills   |             |                              |                 |                |                |
|---|-------------|------------------------------|-----------------|----------------|----------------|
|   | Part Number | Size Range (Inches)          | Number of Steps | Step Thickness | Shank Diameter |
|    | MC 1E       | 1/8" - 1/2"<br>by 1/32nds    | 13              | 1/8"           | 1/4"           |
|  | MC 2E       | 1/4" - 3/4"<br>By 1/16s      | 9               | 1/8"           | 3/8"           |
|  | MC 3E       | 7/16" - 1-1/8"<br>By 1/16ths | 12              | 1/8"           | 3/8"           |
|  | MC 4E       | 3/4" - 1-3/8"<br>By 1/16ths  | 11              | 1/8"           | 1/2"           |
|  | MC 5E       | 3/16" - 7/8"<br>by 1/16ths   | 12              | 1/8"           | 3/8"           |
|  | MC 6E       | 3/16" - 1-1/2"<br>by 1/16ths | 6               | 1/8"           | 1/4"           |